



Declaration of Performance

Construction Products Regulation 2011 (retained EU law EUR 305/2011) as amended by the Construction Products (Amendment etc.) (EU Exit) Regulation 2019 and the Construction Products (Amendment etc.) (EU Exit) Regulation 2020

NOVA XL System Chimney

**NOVA XL DOP Issue 5
BS EN 1856-1**



1. Unique identification code of the product-type:

**Multi Wall Metal System Chimney
EN 1856-1: 2009**

2. Type, batch or serial number or any other element allowing identification of the construction product as required under article 11(4):

Manufacturers Identification(s):

		NOVA XL						
Model 1	DN (400-600)	T120	P1	W	V2	L50060	OXX	
Model 2	DN (400-600)	T450	N1	D	V3	L50060	GXX	

XX See paragraph 8.2

3. Intended use or uses of the construction product, in accordance with the applicable harmonized technical specification, as foreseen by the manufacturer:

To convey the products of combustion to atmosphere under negative pressure and dry conditions. For positive pressure and wet systems, seals can be retrofitted to the joint.

4. Name, registered trade name or registered trade mark and contact address of the manufacture as required under article 11(5):

**SFL
Pottington Business Park
Barnstaple
Devon
United Kingdom
EX31 1LZ
Tel: 01271 326633 Fax: 01271 334303
Email: info@sflchimneys.com Web: www.sflchimneys.com**

5. Where applicable, name and contact address of the authorised representative whose mandate covers the tasks in article 12(2):

N/A

6. System of assessment and verification of consistency of performance as set out in CPR, Annex V:

System 2+ and System 4 (Terminals)

7. Notified factory production control certification body 0168 performed the initial inspection of the manufacturing plant and of factory production control and the continuous surveillance, assessment and evaluation of factory production control and issued the certificate of conformity 0168 CPR 91455 of the factory production control.

TÜV Industrie Service GmbH TÜV Süd Gruppe
Ridlerstraße 65
D-80339 München

8. Declared Performance

	Essential Characteristics	Performance	Harmonised Technical Specifications
8.1	Compressive strength Chimney sections, fittings and supports	See Appendix A	EN 1856-1: 2009
8.2	Resistance to fire	Model 1 DN(400): O75 Model 1 DN(450-600): O100 Model 2 DN(400): G75 Model 2 DN(450-600): G100	
8.3	Gas tightness / leakage	Model 1 DN (400-600): P1 Model 2 DN (400-600): N1	
8.4	Flow resistance of chimney sections Flow resistance of chimney fittings	Mean Value of Roughness: 1mm According to EN 13384-1	
8.5	Thermal resistance	0.30 m ² K/W @ 200°C	
8.6	Thermal shock resistance Sootfire resistance	Model 1 DN (400-600): No Model 2 DN(400-600): Yes	
8.7	Thermal performance under normal operating conditions	Model 1 DN (400-600): T120 Model 2 DN (400-600): T450	
8.8	Flexural tensile Strength (only for means of connection for a chimney and fittings)	NPD	
8.9	Non vertical installations	Model 1,2 DN(400-600) 3m between lateral supports at 90°	
9.10	Components subject to wind load	Model 1,2 DN (400-600) ≤ 2.5m above last support ≤ 4m between supports	

8.11	Water and vapour diffusion resistance	Model 1 DN (400-600): Yes Model 2 DN (400-600): No	EN 1856-1: 2009
8.12	Condensate penetration resistance.	Model 1 DN (400-600): Yes Model 2 DN (400-600): No	
8.13	Durability against corrosion	Model 1,2 DN(400-600): V2 WET V3 DRY	
8.14	Freeze thaw	Model 1,2 DN(400-600): Yes	

For further technical information, please refer to the product sales literature.

9. The performance of the product identified in points 1 and 2 is in conformity with the declared performance in point 8. The declaration of performance is issued under the sole responsibility of the manufacturer identified in point 4.

Signed for and on behalf of the manufacturer by:



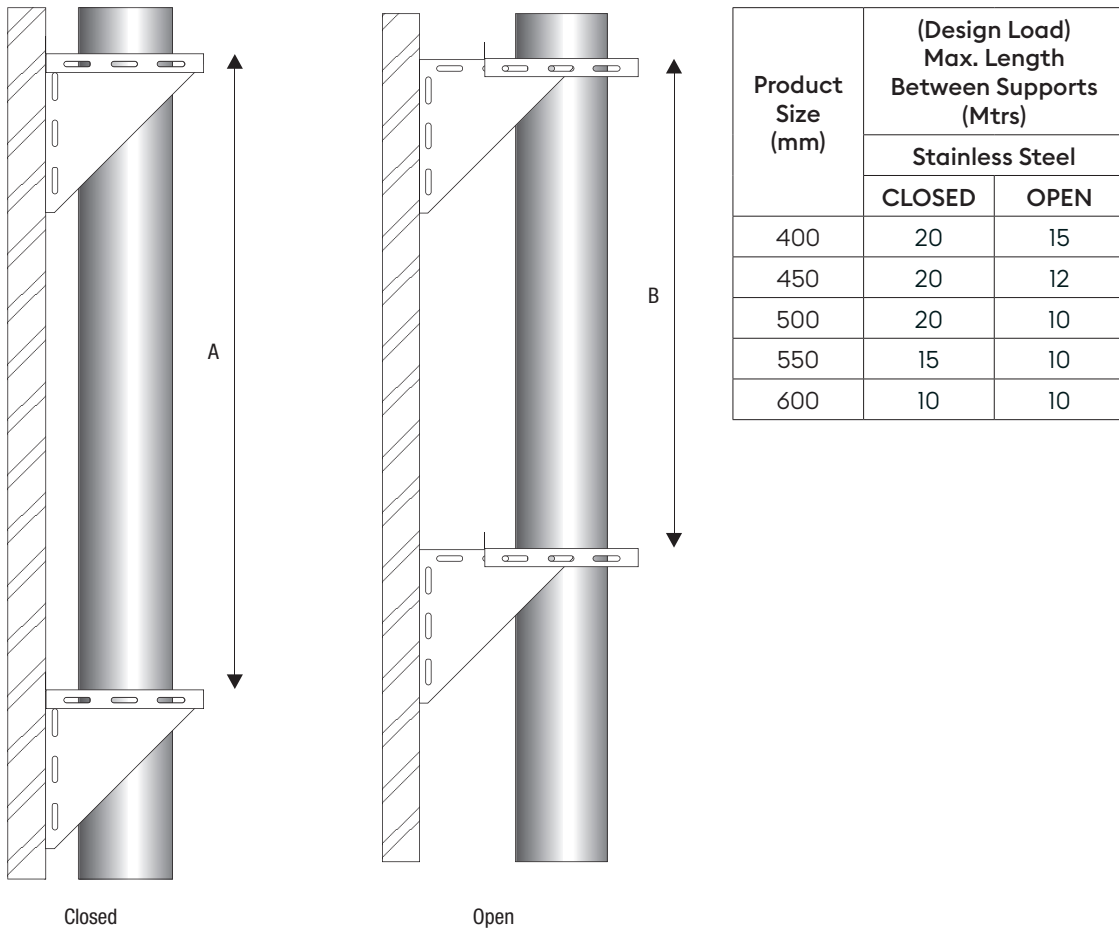
Barnstaple, Devon 03/03/2025

.....
Sami Caglar - Managing Director

Appendix A - Structural Loadings

All mechanical loadings unless indicated have been converted to metres of product for ease of application based on the design loads of the test data. The product design loads represent the nearest approximation based on the weight tolerance of the product and current technical literature.

Compressive loading - Support Plates



Compressive Loading - Tees (Vertical Loading in Metres)

Component	Product Size (mm)				
	400	450	500	550	600
90°, 95° & 85° Tee	2	2	2	2	2
135° Tee	2	2	2	2	2