

Gas Flue Boxes

For the installation of domestic gas fires, using a traditional or pre-fabricated chimney.



SFL

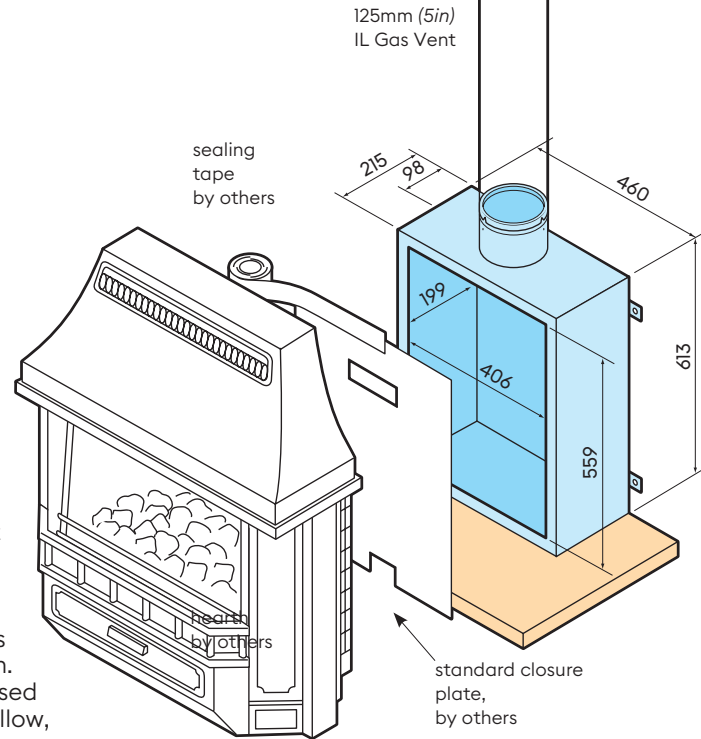
THE RANGE OF GAS FLUE BOXES

SFL provide several types of Gas Flue Box, all designed to be used with the IL Gas Vent System and, where Building Regulations allow, may be used with stainless steel chimney liners.



Valor Visage Blue reproduced by kind permission of Valor Heating Ltd.

FREESTANDING



Code: 0404805

The Freestanding Gas Flue Box has a twin-wall construction and is for use with any Gas Fire manufactured and tested to BS 7977-1. This Standard includes both conventional radiant gas fires and appliances which simulate solid fuel and wood burning either behind glass or having an open front. Radiant fires and those with a simulated solid fuel fire behind glass and usually supplied with a closure plate as shown in the illustration above. Those having an open front, whether projecting into the room or sitting back into the fireplace opening and typically identified as Inset Live Fuel Effect Fires, or **ILFE's** for short.

The Box must be positioned on minimum 12mm thick non-combustible hearth in accordance with BS 5831: Parts 2 & 3. A 125mm diameter IL Gas Vent System is then connected directly to the short IL spigot length which is a permanent fixture on the Box outlet.

Note A 50mm clearance must be maintained between any combustible material and the external surfaces of the top, back and sides of the Box.

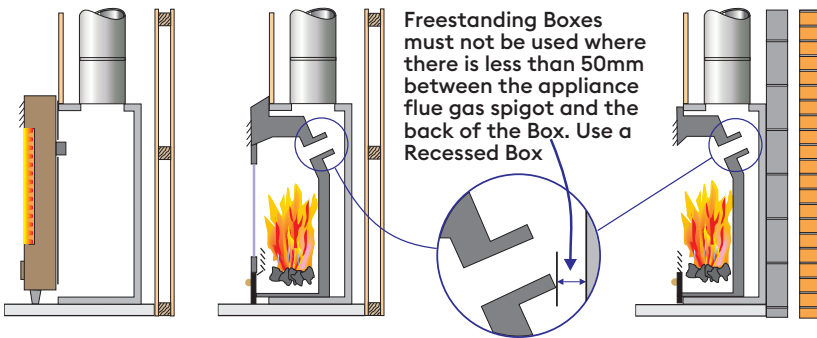
The Freestanding and Recessed Gas Flue Boxes are designed to be used with conventional Radiant gas fires, as well as Inset Live Fuel Effect (ILFE) gas fires, which comply with BS 7977-1: 2009+A1: 2013.

As there are now so many of these available, it is perhaps understandable that confusion arises when deciding which gas appliance can be used with which gas flue box and flue system. SFL provide several types of Gas Flue Box, all designed to be used with the IL Gas Vent System and, where Building Regulations allow, may be used with stainless steel chimney liners.

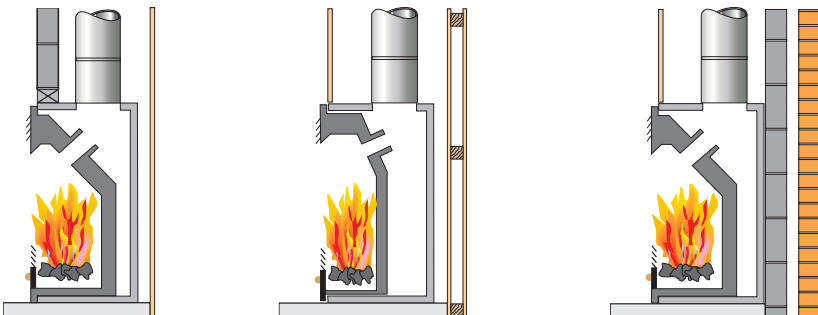
The illustrations below will help you choose the correct combination. All Gas Flue Boxes are provided with detailed Installation Instructions, which should be read in conjunction with the Installation Instructions provided by the manufacturer of the gas appliance.

N.B: The size of the gas box required is dictated by the requirements of the appliance NOT the dimensions of the recess.

Freestanding Gas Flue Box used in any of the applications shown with either Radiant gas fires or some ILFE gas fires.

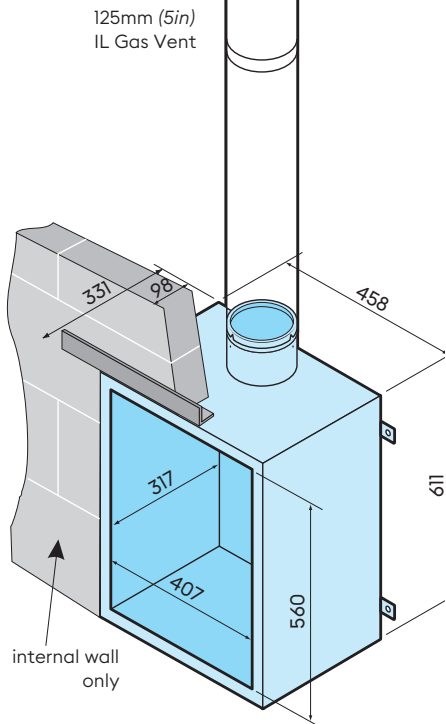


Recessed Gas Flue Box used in any of the applications shown and with various designs of ILFE gas fires.



IMPORTANT Some types of "Decorative Gas Fire" do not comply with BS7977-1, Building Regulations classify these as solid fuel appliances in every respect and they should not be used with any Gas Flue Box. SFL can provide a suitable chimney system for such appliances.

RECESSED



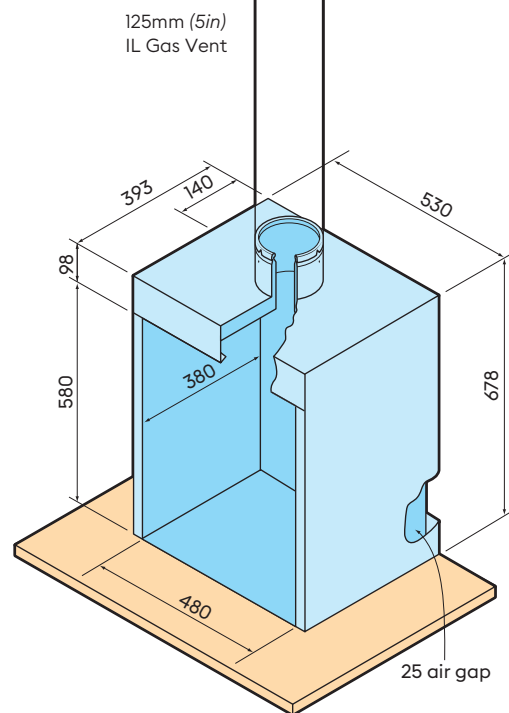
Code: 0404905

This Box is a deeper version of the Freestanding Gas Fire Flue Box, and its installation requirements are the same. However, being deeper it can also be used to fit within the thickness of an internal masonry or plaster and timber stud wall so that the Gas Fire is flush to the wall in one room with the IL Gas Vent behind the wall.

It must not be used to penetrate an external wall.

Although the Flue Gas Collector, (see back page), is designed to enable a chimney serving a gas fire to be lined, it is limited to appliances supplied with a closure plate. Where the appliance features a projection normally accommodated within the builders opening, the Recessed Gas Flue Box may be used for the same purpose. It would be located in an existing builders opening and under a masonry chimney. Connection between the Box and a 125mm, BS EN 1856-2 approved flexible stainless steel liner, must be made with the IL Adaptor to Flexible, available from the IL Gas Vent system range, item Code No. 0471605.

LFE BOX



Code: LFE 125 Box 0405905

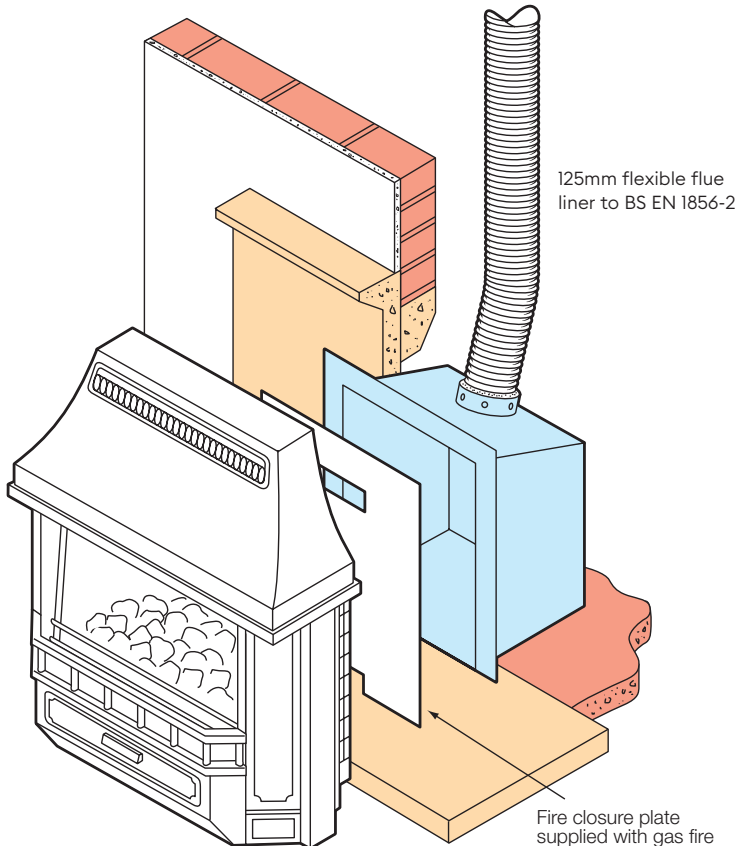
These Boxes have been independently assessed to the requirements of BS 715: 2005, and have been designed for use with those Live Fuel Effect gas fires to BS 7977-1 which are too large for the Recessed Gas Flue Box. The box must only be used with modular one piece appliances and not gas fires consisting of separate parts requiring assembly on site and often called Decorative Gas Fires. (DGF's).

The LFE 125 Box, (illustrated), which is provided with a 125mm adaptor for the IL Gas Vent System, should only be used with appliances which have been tested and approved for use with a 125mm diameter flue.

All dimensions in mm

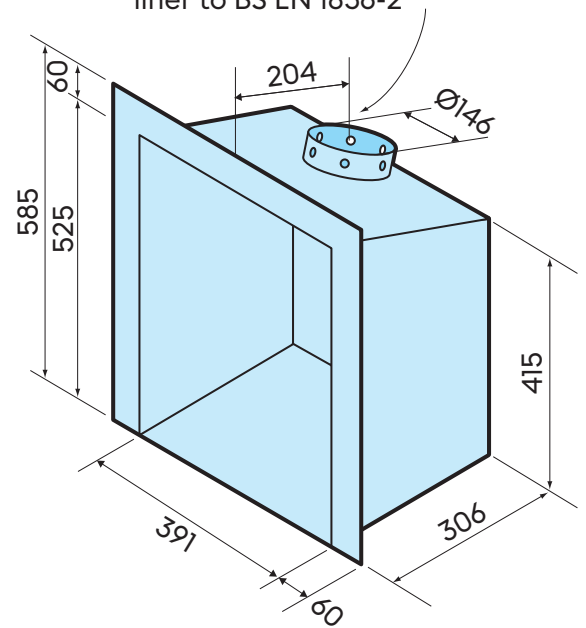
Please note that the dimensions given are based on the mid manufacturing tolerance and may deviate by up to +/- 2mm

FLUE GAS COLLECTOR



0405705 Standard Flue Box

Detachable flue spigot to accept 125 diameter stainless steel flexible liner to BS EN 1856-2



Code: 0405705 Standard

Code: 0406205 Special (Visa Hi-Line)

This is *not* a Gas Flue Box, but a flue gas collector devised to accommodate a gas fire fitted to a masonry chimney.

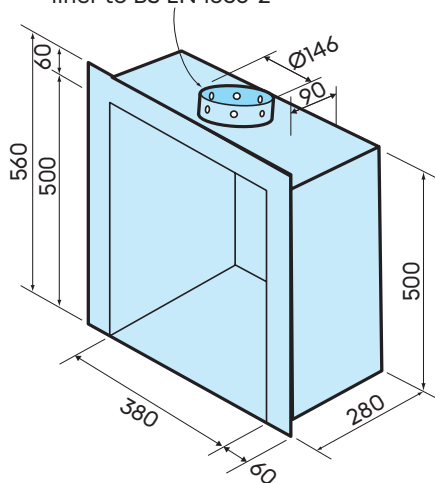
The Collector is purpose designed for use only with radiant gas fires complying with BS 7977-1, and used with a closure plate.

It must **ONLY** be used inside a conventional masonry fireplace recess, and be connected to 125mm diameter flexible flue liner which conforms to BS EN 1856-2.

The Collector is designed to fit a fireplace recess which has maximum dimensions 400mm (16in) wide, by 560mm (22in) high. It is provided with detailed Installation Instructions which are available separately.

0406205 Visa Hi-Line

Detachable flue spigot to accept 125 diameter stainless steel flexible liner to BS EN 1856-2



The information contained in this brochure was accurate at the date of publishing. However the company reserves the right to introduce at any time modifications and changes of details as may be necessary. To avoid any misunderstanding, interested parties should contact the company to confirm whether any material alterations have been made since the date of this brochure.



UK Sales and Customer & Export Services

SF Ltd, Pottington Business Park, Barnstaple, Devon EX31 1LZ
Tel: 01271 326633 Fax: 01271 334303
www.sflchimneys.com info@sflchimneys.com

